

sinopé



Calypso

Smart Water Heater Controller

RM3500ZB



■ FEATURES

- Detection of the connected load
- Temperature probe [AC3500-01]* for maximum comfort and protection
- Possibility of connecting a water detection cable [AC4200C-02]** to detect potential leaks and thus cut off the power supply of the hot water tank
- Compact design for easy installation
- Allows remote control of any water heater controller up to 20.8A @ 240V

*AC3500-01 temperature probe included

**AC4200C-02 water detection cable not included

■ COMMUNICATION

Protocol: Zigbee 3.0

Frequency: 2.4 GHz

Transmission power: +20 dBm

Receiver sensitivity: -108 dBm

Encryption key: AES-128

■ CERTIFICATION

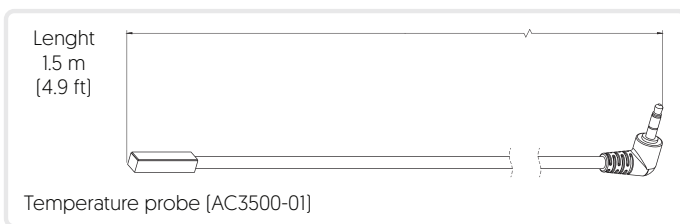
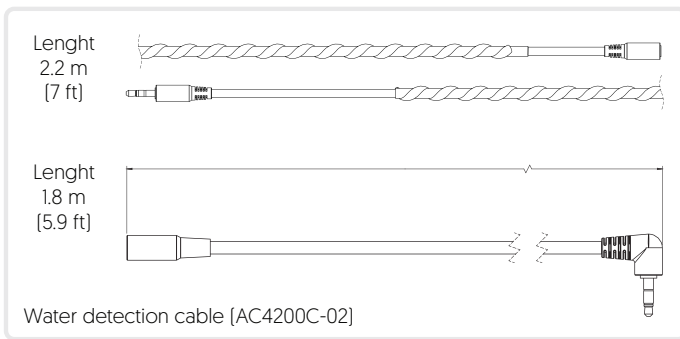


■ STANDARDS

Conforms to ANSI/UL Std.916

Certified under CAN/CSA Std. C22.2 No205

■ ACCESSORIES



- **Automations:** create automations that run based on time, sunrise/sunset, device action, or your presence
- **Scenes:** activate personalized ambiances according to the time of the day, events or activity
- **Energy reports:** see your consumption and savings in real-time
- **Geofencing:** trigger actions based on your presence
- **Voice assistants:** works with Amazon Alexa and Google Assistant
- **Éco Sinopé:** integrates with the Éco Sinopé feature allowing you to reduce your energy consumption during peak events and save on your electricity bill

■ TECHNICAL SPECIFICATIONS

Operating voltage: 120-240V (60 Hz)

Maximum Maximum resistive load: 20.8 A

Operating temperature: 0 °C to 40 °C [32 °F to 104 °F]

Storage: -20 °C to 50 °C [-4 °F to 122 °F]

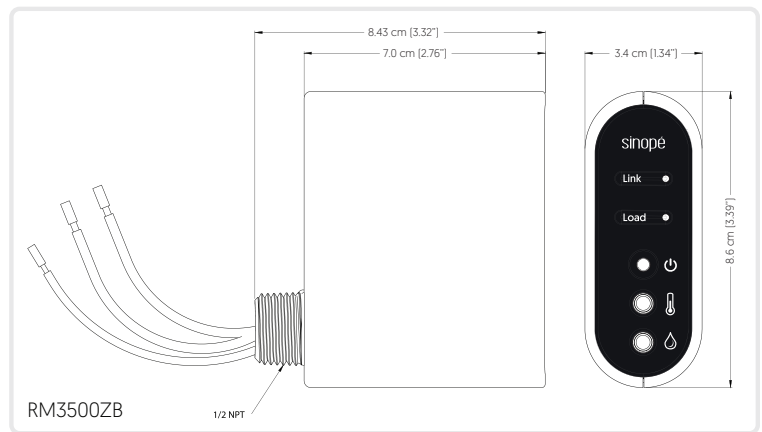
3-year warranty

Single pole relay

Also available:

Wi-Fi version [RM3500WF] compatible with Apple HomeKit

* Indoor installation only.



sinopé

T: 450.741.7700
TF: 1.855.741.7701

sinopetech.com - sales@sinopetech.com
Saint-Jean-sur-Richelieu, Qc, Canada