

Express 250

Specifications and Ordering Information



High Power in a Small Footprint

Ordering Information

The order codes below represent specific product configurations. Other product options are available. Please contact ChargePoint Sales for information and order codes.

Hardware

| Description | | Order Code |
|-------------------|--|----------------------------------|
| Model | Express 250 Station includes 2x Power Modules, 1x CCS1 cable, 1x CHAdeMO cable (NA) | CPE250C-625-CCS1-CHD |
| | Express 250 Station includes 2x Power Modules, 1x CCS2 cable, 1x CHAdeMO cable (EU) | CPE250C-625-CCS2-CHD |
| Connector Options | Cable connectors available include CCS1, CCS2, and/or CHAdeMO. Cables can be ordered with a single connector or a combination. | Please contact ChargePoint Sales |

Software & Services

| Description | | Order Code |
|--|--|-------------------------|
| ChargePoint Enterprise Cloud Plan <i>Note: Station activation is included in this plan.</i> | | CPCLD-ENTERPRISE-DC-n* |
| ChargePoint Assure® — Prepaid Assure Plan for one Express 250 station. Includes Parts and Labor Warranty, Remote Technical Support, On-Site Repairs when needed, Unlimited Configuration Changes, and Reporting. | | CPE250-ASSURE-n* |
| ChargePoint Assure® — Assure Plan for one Express 250 and invoiced annually. Includes Parts and Labor Warranty, Remote Technical Support, On-Site Repairs when needed, Unlimited Configuration Changes, and Reporting. | | CPE250-ASSURE-n-COMMIT* |
| Commissioning Service: includes on-site validation and inspection of electrical, mechanical, installation, wiring and civil parameters for the Express 250 station. | | CPE250-COMMISSIONING |

ChargePoint Express 250 Datasheet

| | |
|---|------------------------------|
| Commissioning Service: includes both the installation and commissioning of the Express 250 station. | CPE250-INSTALL-COMMISSIONING |
|---|------------------------------|

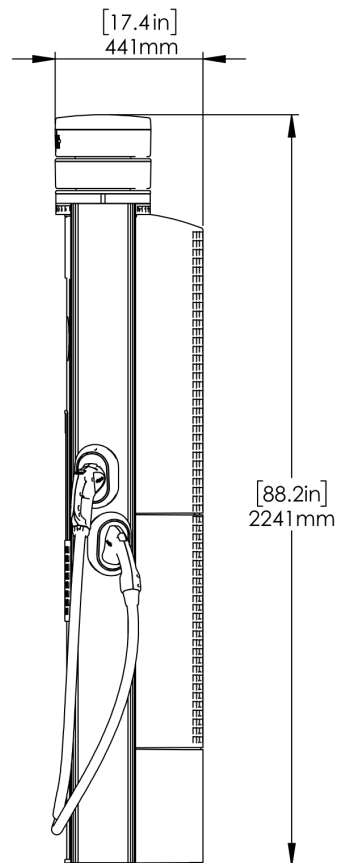
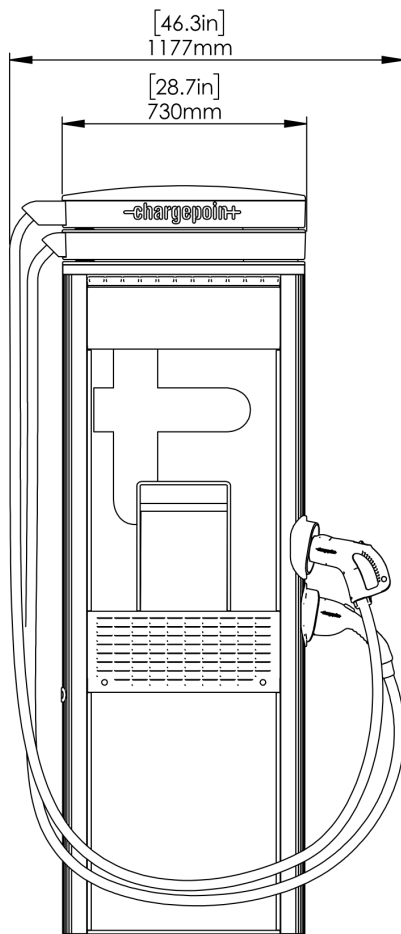
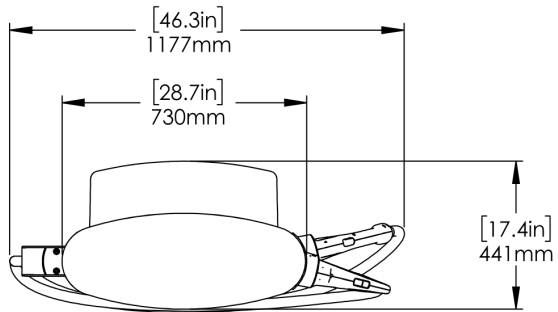
Note: All Express 250 stations require a cloud plan.

*Substitute *n* for desired years of service (1, 2, 3, 4 or 5 years).

Order Code Information

| If ordering this... | ...the order code is |
|---|----------------------|
| Express 250 Station includes 2x Power Modules, 1x CCS1 cable, 1x CHAdeMO cable (NA) | CPE250C-625-CCS1-CHD |

Architectural Drawings (Dimensions)



General Specifications

Station Electrical Input

| | |
|--------------|---|
| Input Rating | 400V AC, 3-phase, 96A, 50 Hz 480Y/277V AC, 3-phase, 80A, 60 Hz |
| Wiring | L1, L2, L3, Neutral & Earth |

Station Electrical Output

| | |
|--------------------------|---------------|
| Max Output Power | 62.5 kW |
| Output Voltage, Charging | 200–1,000V DC |
| Max Output Current | 156A |
| Max Modules per Station | 2 |

Paired Station Electrical Output

| | |
|---------------------------|---|
| Paired Max Output Power | 125 kW |
| Paired Max Output Current | CCS1: 174A or 200A CCS2: 200A CHAdeMO; US: 140A, EU: 125A |

Power Module

| | |
|-----------------------------|---|
| Max Output Power | 31.25 kW |
| Max Output Current | 78 A |
| Power Conversion Efficiency | > 95% |
| Power Factor | 0.99 at full load |
| Harmonics | iTHD < 5% (Complies with IEEE 519 Requirements) |
| Power Module Cooling | Liquid Cooling Technology |

Functional Interfaces

| | |
|---------------------------------|---|
| Max Connector Types per Station | Up to two different connector types per station |
| Supported Connector Types | CHAdeMO, CCS1 (SAE J1772™ Combo), CCS2 (IEC 61851-23) |
| Cable Length with Swing Arm* | Full Horizontal Reach: 4.27m (14') |
| LCD Display | Full-color 254 mm (10 in) display for driver interaction |
| Top Display | Full-color 508 mm (20 in) LED display for notifications |
| Authentication | RFID: ISO 15693, ISO 14443, NEMA EVSE 1.2-2015 (UR) Tap to Charge (NFC on Apple & Android): 15118-2 (EIM) Remote: Mobile and in vehicle (if supported by vehicle) |

*Horizontal reach to typical vehicle charging port: 3.76 (12'4")

Connectivity Features

| | |
|-----------------------------------|--|
| Vehicle Safety Communication | CHAdeMO – JEVS G104 over CAN, CCS1 – SAE J1772 over PLC and CCS2 — IEC 61851-23 |
| Plug-Out Detection | Power terminated per JEVS G104 (CHAdeMO), SAE J2931 (CCS1) and IEC 61851-23 (CCS2) |
| Local Area Network | 2.4 GHz and 5 GHz WiFi (802.11 b/g/n) |
| Wide Area Network | 4G LTE (fall back to 3G GSM) |
| Supported Communication Protocols | OCPP |
| Service and Maintenance | Remote system monitoring, diagnostic, and proactive maintenance |

Safety and Operational Ratings

| | |
|--------------------------|---|
| Station Enclosure Rating | Type 3R, IP54 |
| Station Impact Rating | IK10 |
| Safety and Compliance | UL and cUL listed: complies with UL 2202, UL 2231-1, UL 2231-2, CSA 107.1 CE marking: complies with IEC 62196, IEC 61851 |

ChargePoint Express 250 Datasheet

| | |
|--------------------------|---|
| Station Surge Protection | Tested to IEC 6100-4-5, Level 5 (6 kV @ 3,000A). In geographic areas subject to frequent thunder storms, supplemental surge protection at the service panel is recommended. |
| EMC Compliance | U.S.: FCC part 15 Class A; EU: EN55011, EN55022 and IEC61000-4 |
| Storage Temperature | -40°C to 50°C (-40°F to 122°F) |
| Operating Temperature | -40°C to 50°C (-40°F to 122°F) |
| Operational Altitude | <3,000 m (<9,800 ft) |
| Operating Humidity | Up to 95% @ 50°C (122°F) non-condensing |

Generic Specifications

| | |
|--|---|
| Station Enclosure Dimensions | 2,241 mm H x 730 mm W x 441 mm D (7'4" x 2'5" x 1'5") |
| Power Module Dimensions | 760 mm H x 430 mm W x 130 mm D (2'6" x 1'5" x 5") |
| Station Weight (without Power Modules) | 250 kg (551 lb) |
| Power Module Weight | 45 kg (98.5 lb) |

Energy Management Features

| | |
|--------------------------|--|
| Dynamic Power Management | Allows a fixed maximum power output per station or lets the system dynamically manage the power distribution per station |
| Remote Energy Management | Manage output power via the ChargePoint Admin Portal, API, and Open ADR 2.0b VEN |

ChargePoint, Inc. reserves the right to alter product offerings and specifications at any time without notice, and is not responsible for typographical or graphical errors that may appear in this document



ChargePoint, Inc.
240 East Hacienda Avenue
Campbell, CA 95008-6617 USA

+1.408.841.4500 or
+1.877.370.3802 US and Canada toll-free

[chargepoint.com](https://www.chargepoint.com)

Contact Us

Visit [chargepoint.com](https://www.chargepoint.com)

Call +1.408.705.1992

Email sales@chargepoint.com

Copyright © 2022 ChargePoint, Inc. All rights reserved. CHARGEPOINT is a U.S. registered trademark/service mark, and an EU registered logo mark of ChargePoint, Inc. All other products or services mentioned are the trademarks, service marks, registered trademarks or registered service marks of their respective owners. June 2022.

* Listed by Underwriters Laboratories Inc.

