

ULTIMUM 240-480kW

ULTIMUM SERIES DC FAST CHARGER



PRODUCT OVERVIEW

Made in Canada



BEQ ULTIMUM series offer a modular design with best-in-class current output ensuring **max power delivery at any state of the charge**.

Modular platform offered in 240, 320, 400 or 480 kW variants, these chargers are designed for outdoor or indoor applications and are rated for a full system operating range within -50°C to $+50^{\circ}\text{C}$ (-58F to 122F), ensuring reliable operation in any climate.

Where unmatched performance meets unmatched reliability. Designed to meet any demanding use cases head on.

- Dual output and dynamic power sharing with 40kW granularity.
- Best in class 1600A/1330A/1200A/800A (480/400/320 240 kW) total output current.
- Each connector can deliver 600A Continuous and 800A boost with thin Liquid-Cooled-Cables (NCC).
- SiC design with up to 97.5% full load efficiency.
- Ground up design, minimized parts count while maximizing reliability and simplifying replacement parts and supply chain.
- Fully customizable software dashboard allowing for a tailored experience.
- Standard 3-year warranty (from the commissioning date) on all components, including cables. Up to 10 years of extended warranty available.



Information security guaranteed: Your data is securely hosted on our servers located in Canada (Toronto).

powered by
TEAL

2025-01-22

ULTIMUM 320-480kW

ULTIMUM SERIES DC FAST CHARGER



PRODUCT OVERVIEW & KEY FEATURES

Made in Canada 

Key Design Features

1. Dual output and dynamic power sharing with 40kW granularity
2. Modular design minimizes maintenance cost and complexity.
3. Designed with long lifespan and minimum TCO in mind.
4. Lowest replacement cost on main components. Transparency that helps operators to choose with confidence.
5. Ultra slim design allows for ease of installation between two parking stalls.
6. Swing Arm cable management allows for up to 5m cable length.
7. Powder-coated aluminum body construction prevents corrosion and ensures long lifespan.
8. Condensation mitigation technology ensures inside the cabinet stays dry year-round.
9. 12" flood proof design.
10. Special air intake design ensures seamless operation under heavy/continuous rain.
11. Designed so that all the components are readily accessible and easily serviced.
12. 800A peak and 600A continuous Liquid-Cooled-Cables (LCC).
13. Standard dual cable design can be customized with any combination of CCS1/CCS2 and NACS (TESLA).



powered by
TEAL

2025-01-22

ULTIMUM 320-480kW

ULTIMUM SERIES DC FAST CHARGER



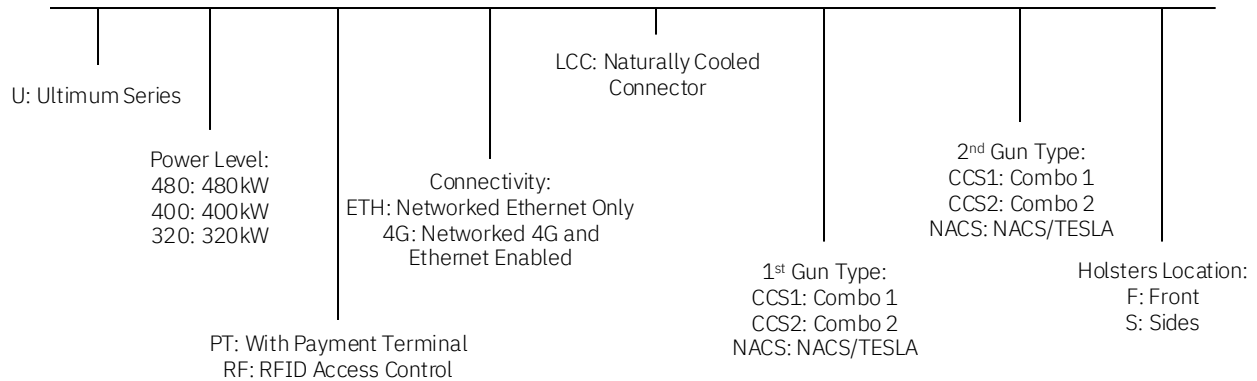
GENERAL SPECIFICATIONS, OPTIONS & PART NUMBERS

Made in Canada

GENERAL SPECIFICATIONS	
OUTPUT CURRENT	320kW: 1200A 400kW: 1330A and 480kW: 1600A
OUTPUT POWER	320, 400 or 480KW, 150-1000V dc
MAX CONNECTIONS	2 SIMULTANEOUS VEHICLES
3Φ AC INPUT (3P+PE)	380V TO 480V
FREQUENCY	50HZ/60HZ
POWER FACTOR	>0.99
EFFICIENCY (MAX)	>97.5% @ FULL LOAD
STANDARD WARRANTY	THREE YEARS
OCPP VERSION	1.6J AND 2.0.1

Model Numbers

U - 480 - PT - ETH - LCC - CCS1 - NACS - F



ULTIMUM 320-480kW

ULTIMUM SERIES DC FAST CHARGER



DETAILED SPECIFICATIONS

Made in Canada



AC INPUT
Voltage Range: 340V-528V 3 Φ (3P+PE)
Rated Voltages: 380V-400V-415V-440V-480V 3 Φ (3P+PE)
Max Continuous Input Current At 480V Volts: 480kW: 600A, 400kW: 500A, 320kW: 400A, 240kW: 300A
Frequency 50Hz/60Hz
Power Factor Greater Than 0.99
Max Full Load Efficiency > 97.5%

DC OUTPUT
Output Voltage Range CCS: 150-1000Vdc NACS: 150-1000Vdc
Continuous Output Current CCS, LCC: 600A NACS, LCC: 600A
Connector Options (Based on Customer Specs): 2 CCS/2 NACS/1 CCS + 1 NACS
Voltage Accuracy $\pm 0.5\%$
Current Accuracy $\pm 1\%$

USER INTERFACE AND CONTROL
Stop Button With RGB Indicators
PCI Compliant Payment Terminal Optional (Tap/Insert/Swipe/NFC)
User Authentication RFID: Supports ISO14443A/B
OCPP 1.6J and 2.0.1

COMMUNICATION
External: Ethernet and 4G
Internal: CAN bus/ Ethernet/ RS485/ RS232

ENVIRONMENTAL
Rated Temperature Range -50°C to +50°C (-58F to 122F), Power Derating Starts at +52 °C/126F Operating Temperature Range -50°C to +70°C (-58F to 158F)
Humidity 5%~95% RH, Non-Condensing
Altitude $\leq 2000m$
Aluminum Type 3R Rainproof Enclosure
Air-Cooled System

PROTECTIONS
Input Protections: SPD, OCP, OVP, OTP, OPP
Output Protections: IMD, OCP, OVP, OTP, LVP, SCP

REGULATION
Compliance UL 2202, UL 2231-1, UL2231-2, UL50E, CSA C22.2 No 107.1/CSA C22.2 No 281.1-12/CSA C22.2 No 281.2-12, cCSAus (pending)
Charging Interface ISO15118 (CCS1/NACS)