

sinopé



## Smart Light Switch SW2500ZB



Light-emitting diode (LED)



Incandescent lighting



Compact fluorescent lamp (CFL)



Resistive load



Halogen lighting



Ceiling fan



## ■ FEATURES\*

- Equipped with a timer to automatically turn off the lighting after a given time\*
- Lockable manual control\*
- Personalization of the color and intensity of the LED on the product. Available colors: blue, amber, fuchsia, lime, pearl\*
- Integrates directly with the Echo Show and Amazon Echo Plus

\*These features are available in Neviweb and Neviweb Premium and require the GT130 hub. Features may vary from a platform to another.

## ■ COMMUNICATION

Protocol: Zigbee 3.0  
Frequency: 2.4 GHz  
Transmission power: +20 dBm  
Receiver sensitivity: -108 dBm  
Encryption key: AES-128

## ■ CERTIFICATIONS

Conforms to ANSI/UL Std.916  
Certified under CAN/CSA Std. C22.2 No205



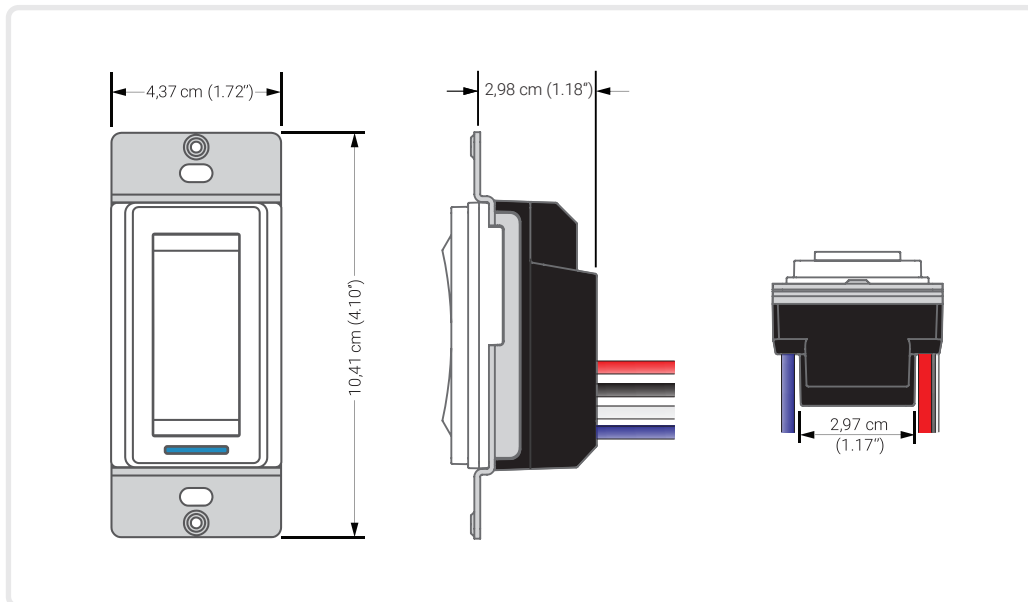
- **Automations:** create automations that run based on time, sunrise/sunset, device action, or your presence
- **Scenes:** activate personalized ambiances according to the time of the day, events or activity
- **Energy reports:** see your consumption and savings in real-time
- **Geofencing:** trigger actions based on your presence
- **Voice assistants:** works with Amazon Alexa and Google Assistant

\*Discover more features: [sinopetech.com](http://sinopetech.com)

## ■ TECHNICAL SPECIFICATIONS

Operating voltage: 120 Vac, 60 Hz  
Maximum load:  
450 W: LED, compact fluorescent lamp (CFL) and halogen  
600 W: Incandescent  
1800 W: Resistive  
½ HP: Ceiling fan  
Operating temperature: 0 °C to 40 °C [32 °F to 104 °F]  
Storage temperature: -20 °C to 50 °C [-4 °F to 122 °F]

Neutral wire required  
Simple installation (3 or 4 wires)  
Single pole, 3-way compatible  
Wall plate not included  
3-year warranty



sinopé

T: 450.741.7700  
TF: 1.855.741.7701

sinopetech.com - sales@sinopetech.com  
Saint-Jean-sur-Richelieu, Qc, Canada

Neviweb is a trademark of Sinopé Technologies Inc., registered in Canada and the U.S.  
Amazon, Alexa and all related logos are trademarks of Amazon.com, Inc. or its affiliates.  
Google is a trademark of Google LLC.